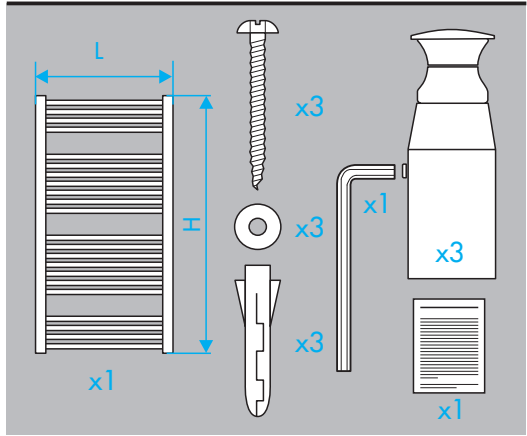

Zehnder Virando

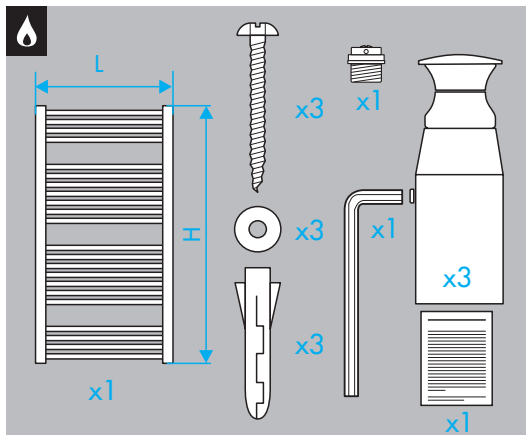
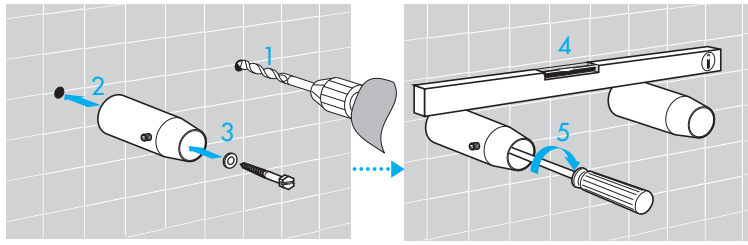
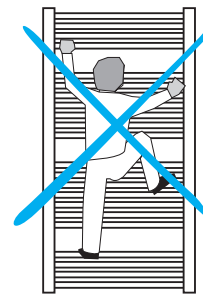
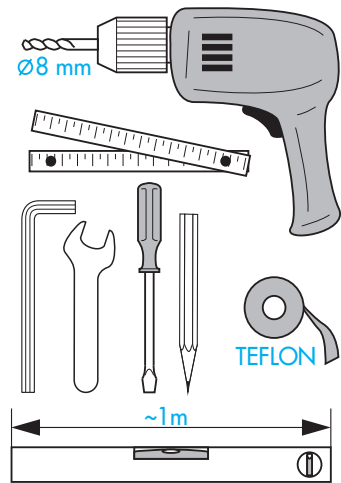


Instrukcja montażu

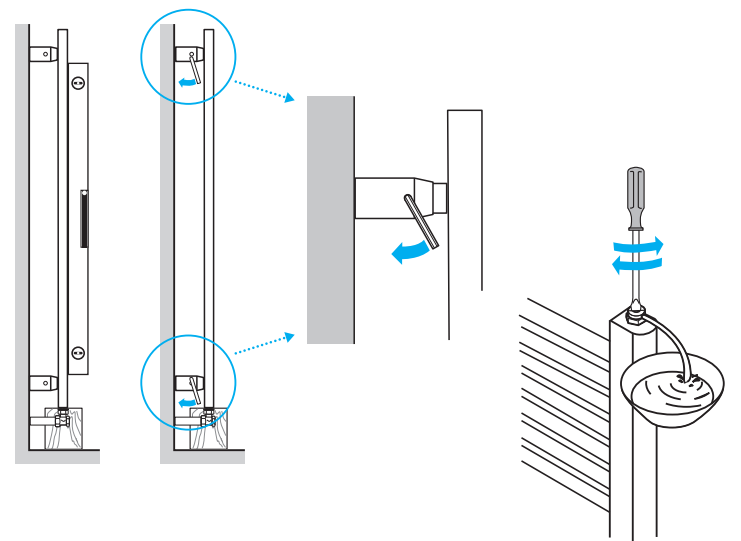
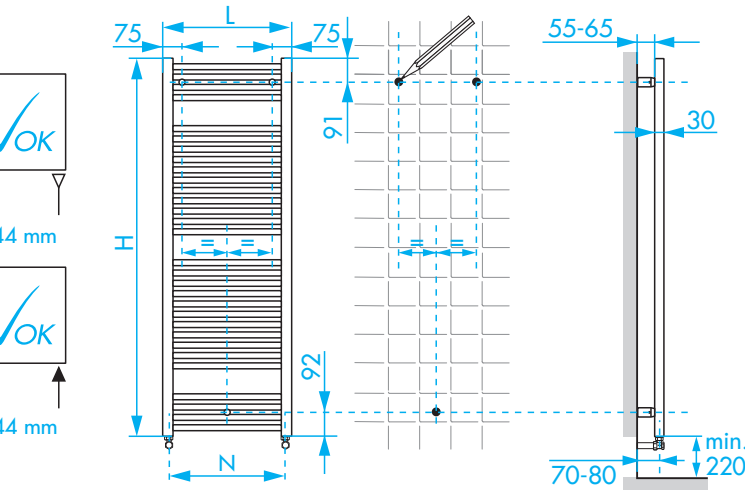
TYPE MP50



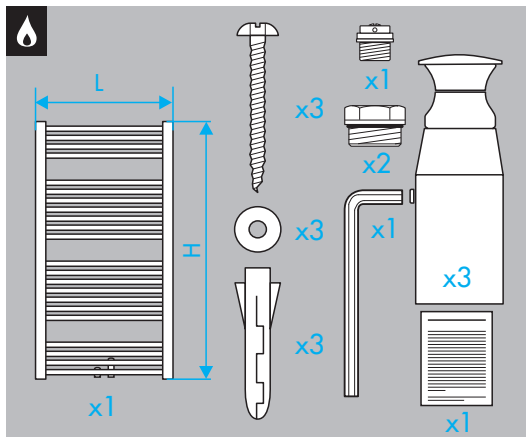
©Copyright by PBO 10/17 40004178



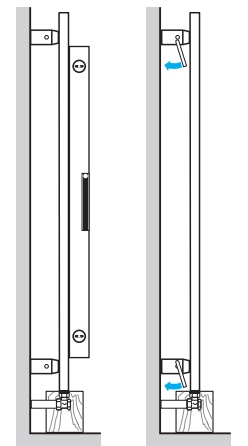
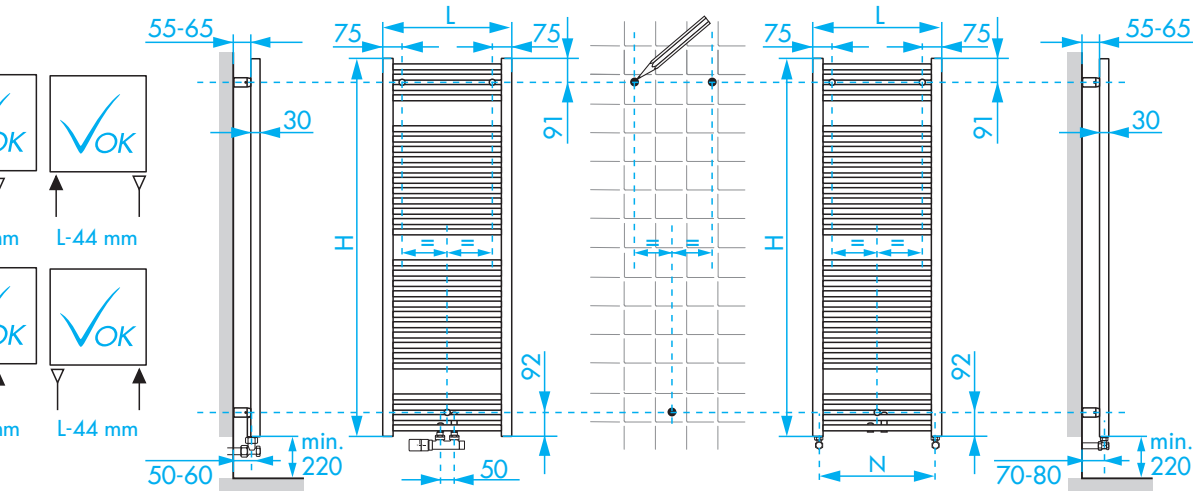
©Copyright by PBO 10/17 40004178



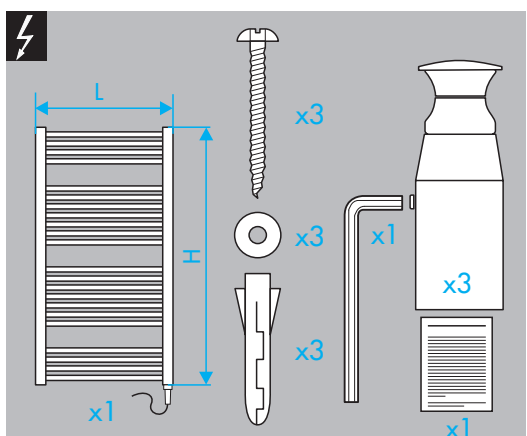
L	450	500	550	600	750
N = L - 44	406	456	506	556	706
H	786	1226	1466	1866	



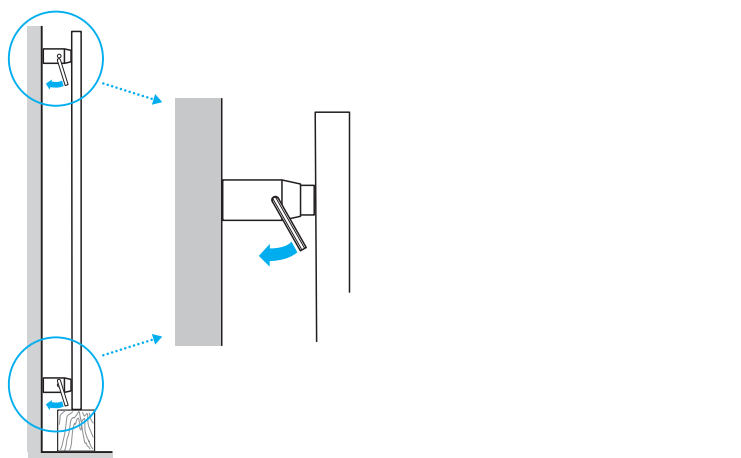
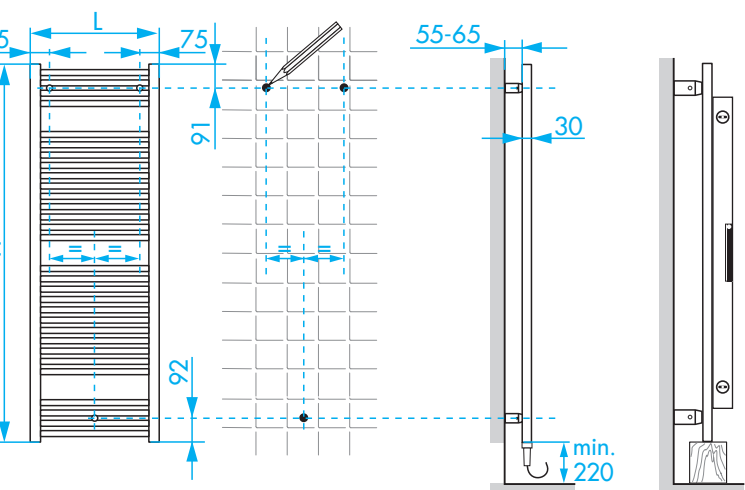
©Copyright by PBO 10/17 40004178



L	450	500	550	600	750
N = L - 44	406	456	506	556	706
H	786	1226	1466	1866	

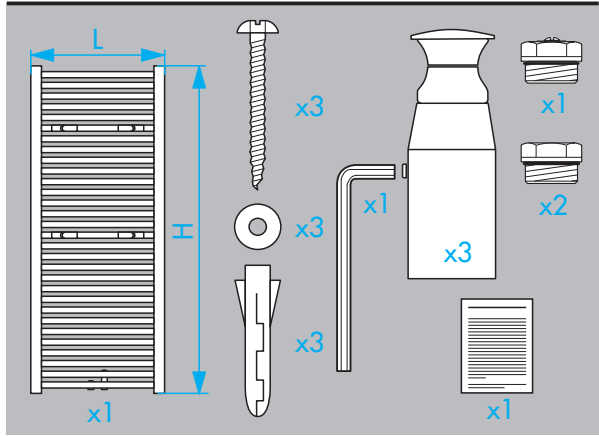


©Copyright by PBO 10/17 40004178

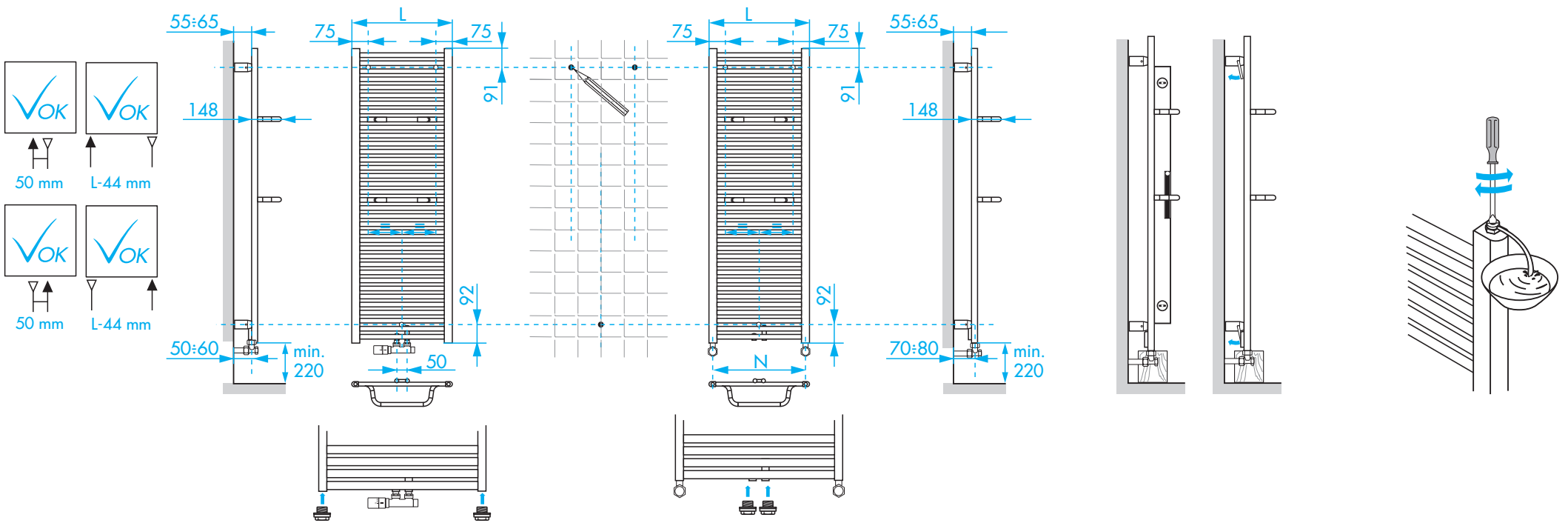
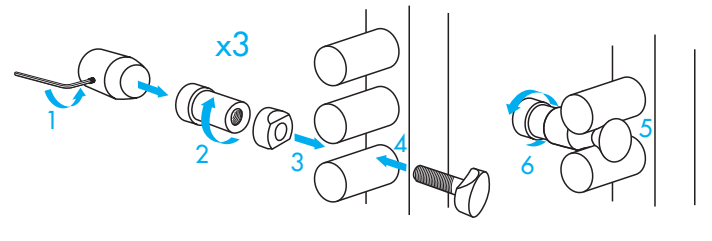
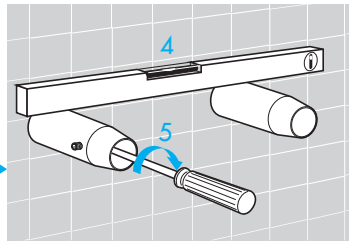
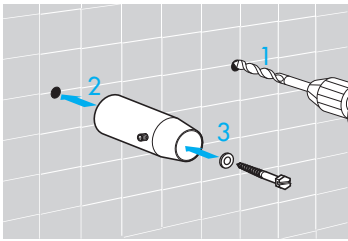
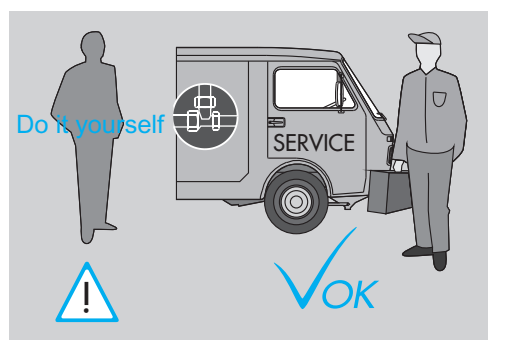
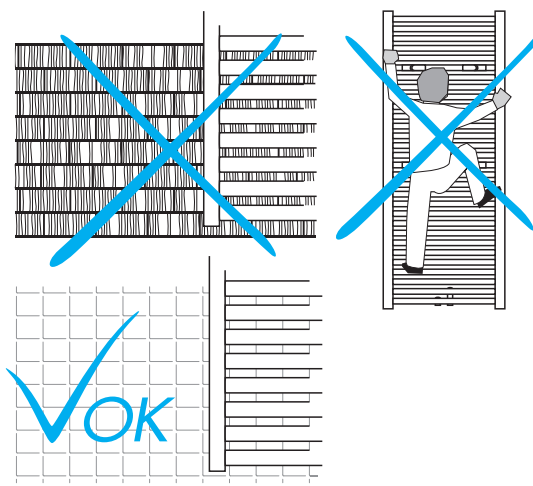
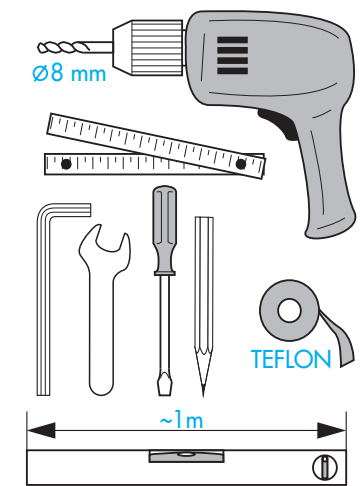


L	450	500	550	600	750						
H	746	786	866	946	1226	1306	1466	1546	1706	1786	1866

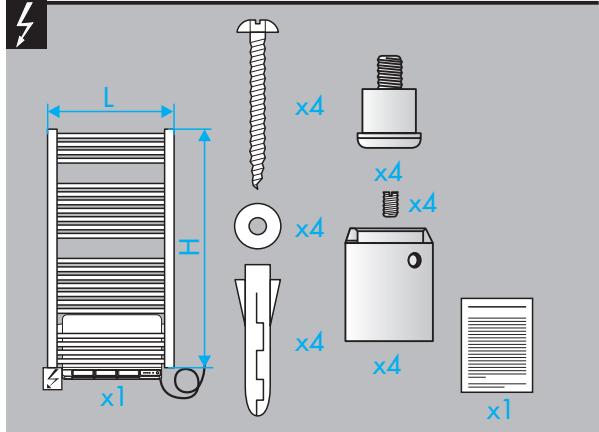
TYPE P50U



L	450	500	550	600	750
N = L - 44	406	456	506	556	706
H	786	1226	1466	1866	



TYPE P52-EF



L	500	600		
L1 = L - 42	456	556		
H	946	1306	1546	1786
H1 = H - 226	720	1080	1320	1560

